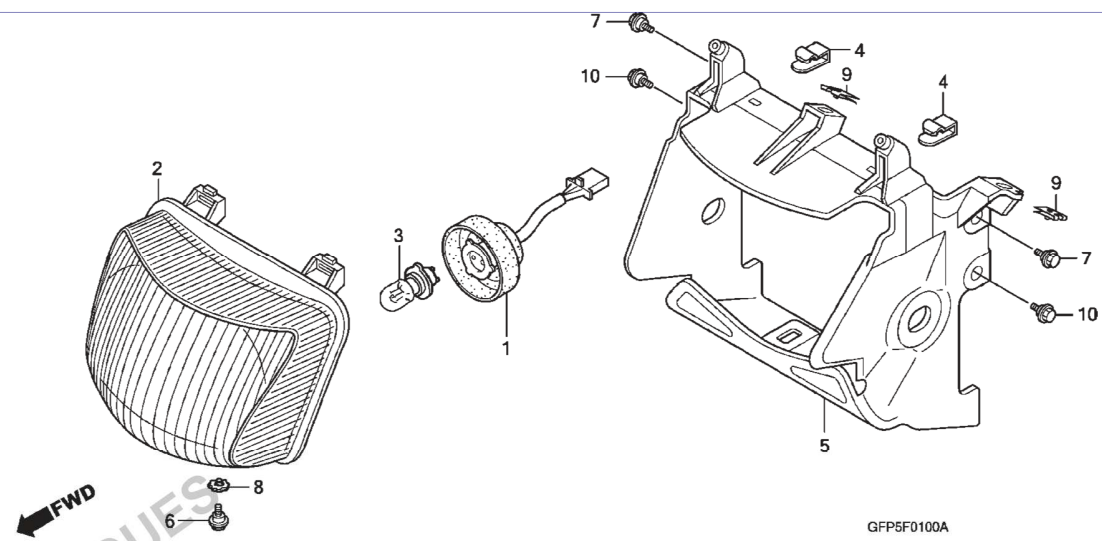


C-1



GFP5F0100A