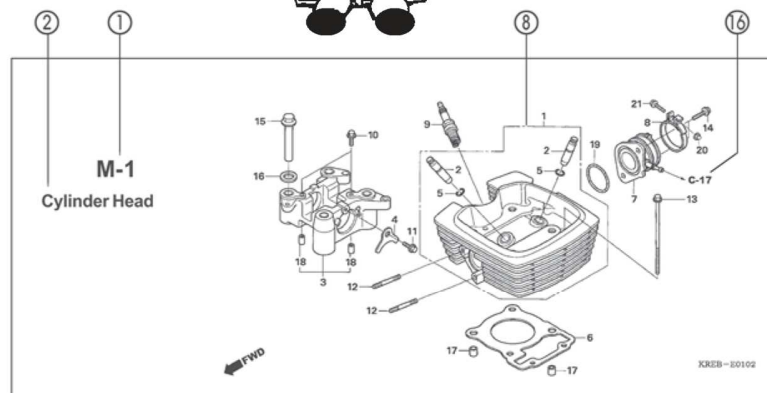
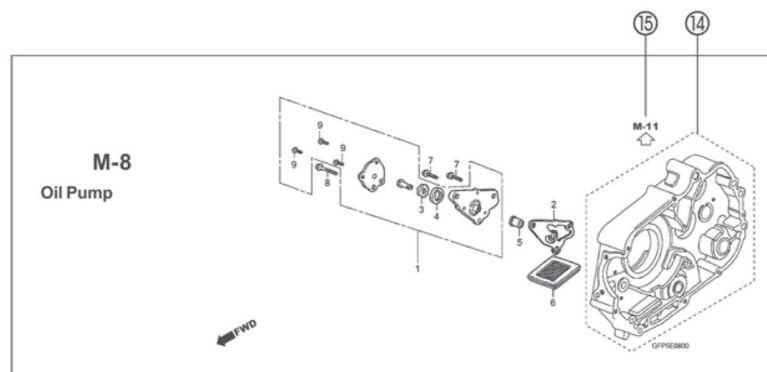


## Parts Catalogue Structure



Ref. N°	L.O.N.	Service Item	F.R.T.	Ref. N°	Part. No.	Description	Reqd. Qty	Serial No.	Note
							PCP100 7 8 9		
4	811175	Cable, Seat Lock	0.1	1	18327-KAE-000	Collar, Chamber Rr. (8.5x15)	2	2	
5	4131E8	Catch, Seat, Rear Side	0.1	2	61104-GCE-E40	Collar, Fr. Fender	2	2	
6	4131E4	Seat, Double	0.1	3	77151-KW3-000	Spring, Seat Lock	1	-	BR
13	4121K9	Cover, Seat Catch	0.1		77151-MB1-870		-	1	2LA,3LA
15	4131F2	Key, Seat Lock	0.2				-	1	
				4	77156-GFP-900	Cable, Seat Lock	1	1	
				5	77160-GFP-900	Bracket Comp., Seat Lock	1	1	
					77160-GFP-800		-	1	
				6	77200-GFP-900ZB	Seat Assy., Double	1	-	
					*NHA0BL*	Itaipu Gray	1	-	
					77200-GFP-900ZD	*RA08L*	1	-	
					77200-GFP-910ZA	*NH1L*	1	-	
					77201-GFP-900	Stay, Seat Hinge	1	1	
				8	94001-05070-0S	Clip, Harness Band (Black) (145mm)	1	1	



### 1 Block number

•Address No. is provided (in place of the page No.) to help you refer to the part with the part No. or part name.

### 2 Block title

### 3 Service item/Flat rate time

### 4 Reference number

•Title number marked with the parenthesis indicates that it continues from the previous page.

### 5 Part number

### 6 Description

### 7 HONDA color code

### 8 Assemblies

•Sections framed with broken lines in the exploded view drawings are available as complete assemblies. (Their individual parts can also be obtained).

### 9 Color description

### 10 Note

•Notes are shown with the parenthesis in the part name column.

### 11 Required quantity

•Reqd. QTY shown in the parenthesis indicates the optional part.

• Reqd. QTY marked with "N" indicates the optional part that should be selected as needed.

•Reqd. QTY indicates the number of the part used in the block.

### 12 Serial number

### 13 Parts catalogue code

•When the parts catalogue code column is blank, it indicates that the part is applicable to all codes.

### 14

• Parts enclosed within a dotted line are covered in a different block.

### 15

•A hollow arrow indicates the block No. for the parts enclosed within a dotted line.

### 16

•A solid arrow indicates the block No. the part in question is connected to.

1



Volta  
Back  
Volver