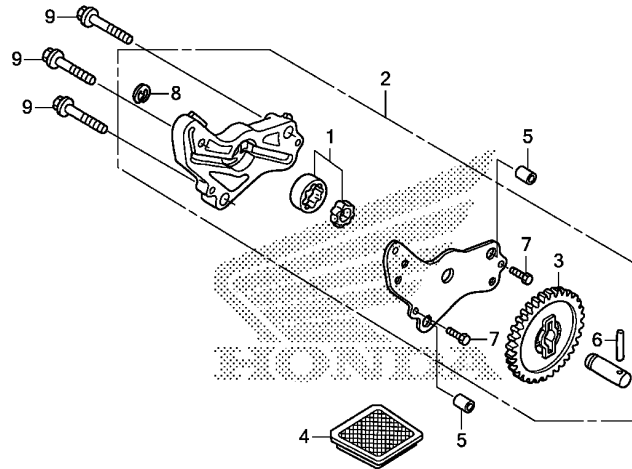


E-14

OIL PUMP



KPYLE1400

| Ref. No. | Part No. | Description | Reqd. QTY | | | Serial No. | Parts catalogue code |
|----------|----------------|-------------------------------|-----------|----|-----|------------|----------------------|
| | | | MR | MS | MRC | | |
| | | | CFT125 | | | | |
| | | | L | L | L | | |
| 1 | 15021-GF6-000 | ROTOR SET, OIL PUMP | 1 | 1 | 1 | | |
| 2 | 15100-KTM-D20 | PUMP ASSY., OIL | 1 | 1 | 1 | | |
| 3 | 15133-KTM-D20 | GEAR, OIL PUMP DRIVEN(30T) .. | 1 | 1 | 1 | | |
| 4 | 15421-KSP-910 | SCREEN, OIL FILTER | 1 | 1 | 1 | | |
| 5 | 90702-KFM-900 | DOWEL PIN, 8X12 | 2 | 2 | 2 | | |
| 6 | 91105-KTM-970 | ROLLER, 4X23.8 | 1 | 1 | 1 | | |
| | 96220-40238 | | 1 | 1 | 1 | | |
| 7 | 93301-05012-0J | BOLT, HEX., 5X12 | 2 | 2 | 2 | | |
| 8 | 94540-06018 | E-RING, 6MM | 1 | 1 | 1 | | |
| 9 | 95701-06035-00 | BOLT, FLANGE, 6X35 | 3 | 3 | 3 | | |

2

FR.