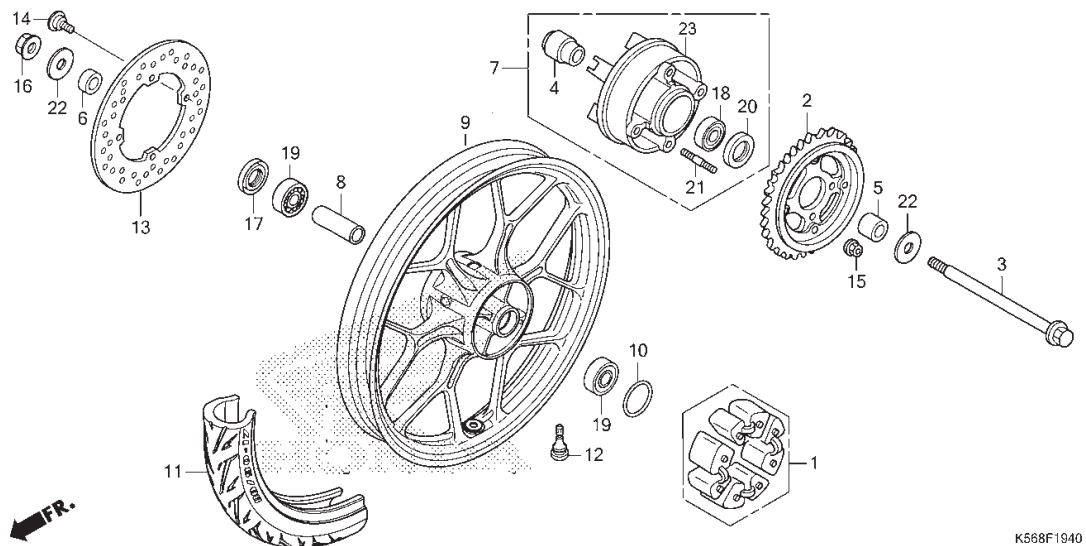


F-19-40

REAR WHEEL



No. Ref.	No. Part	Deskripsi	Jumlah SONIC 150R (FS150R) 2015(G)	No. Seri	Kode Parts Catalog
(19)	91053-K03-N41	BEARING, RADIAL BALL(6301U L) (SK)	2		
20	91251-KGH-902	DUST SEAL, 27X40X4.5(NO)	1		
	91251-KPH-881	DUST SEAL, 27X40X4.5(AR)	1		
21	92915-10028-OE	BOLT, STUD, 10X28	4		
22	94103-12000	WASHER, PLAIN, 12MM	2		
23	42611-K56-N00	FLANGE, FINAL DRIVEN	1		