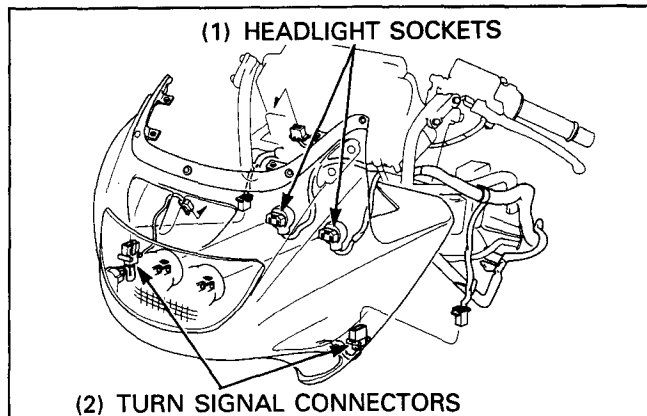


Disconnect the headlight sockets and turn signal connectors.

Remove the upper faining from the frame.

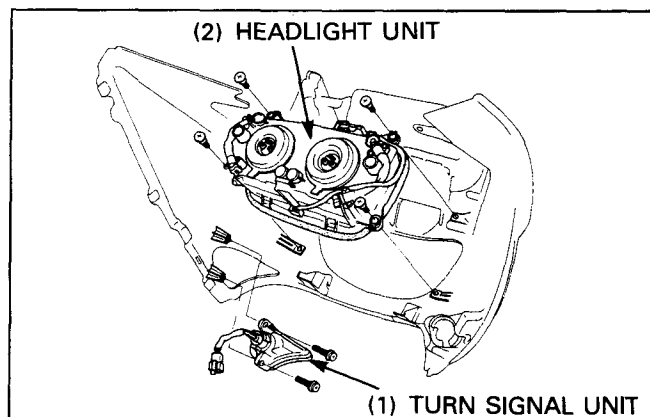


Remove the screws and turn signal unit.

Remove the bolts and headlight unit.

### Installation

Installation is in the reverse order of removal.



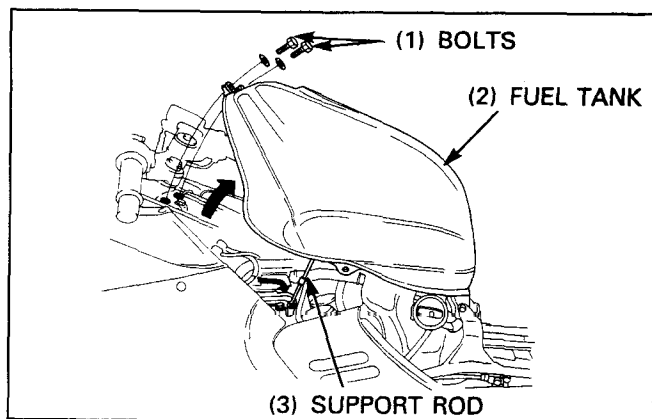
## Fuel Tank

### WARNING

- Gasoline is extremely flammable and is explosive under certain conditions. Work in a well ventilated area. Smoking or allowing flames or sparks in the work area or where gasoline is stored can cause a fire or explosion.

Remove the seat and both side covers (page 2-3)

Remove the fuel tank front mounting bolts and washers. Open the fuel tank and support the tank using the support rod.



Disconnect the fuel level sensor wire connector. Disconnect the fuel valve vacuum tube and fuel tube. Disconnect the fuel tank air vent tube.

