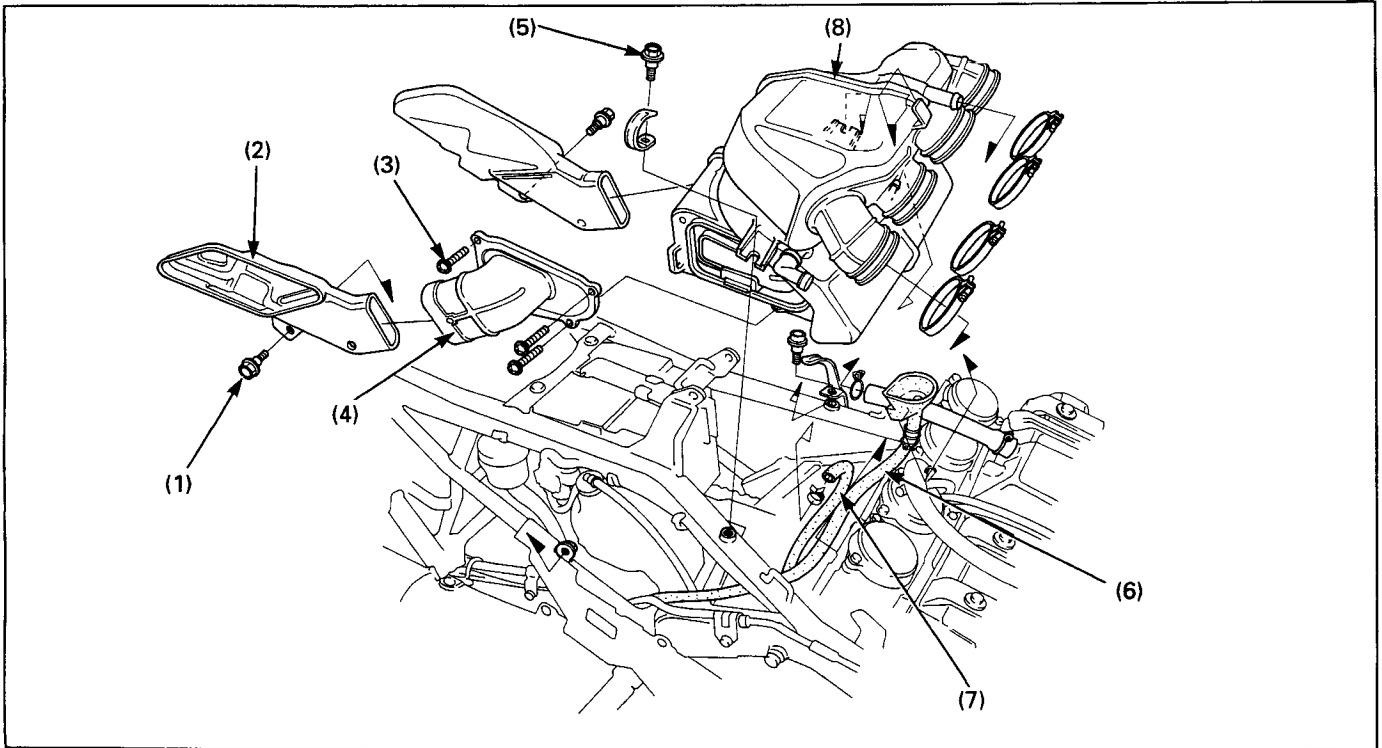


Air Cleaner Housing Removal/Installation



Requisite Service

- Carburetor removal/installation (page 5-4)

| Procedure | | Q'ty | Remarks |
|-----------|--------------------------------|------|--------------------------------------------------|
| | Removal Order | | Installation is in the reverse order of removal. |
| (1) | Intake duct bolt | 2 | |
| (2) | Intake duct | 2 | |
| (3) | Element cover screw | 3 | |
| (4) | Element cover | 1 | |
| (5) | Air cleaner housing bolt/clamp | 2/1 | |
| (6) | Air hose | 1 | |
| (7) | Breather tube | 1 | |
| (8) | Air cleaner housing | 1 | |