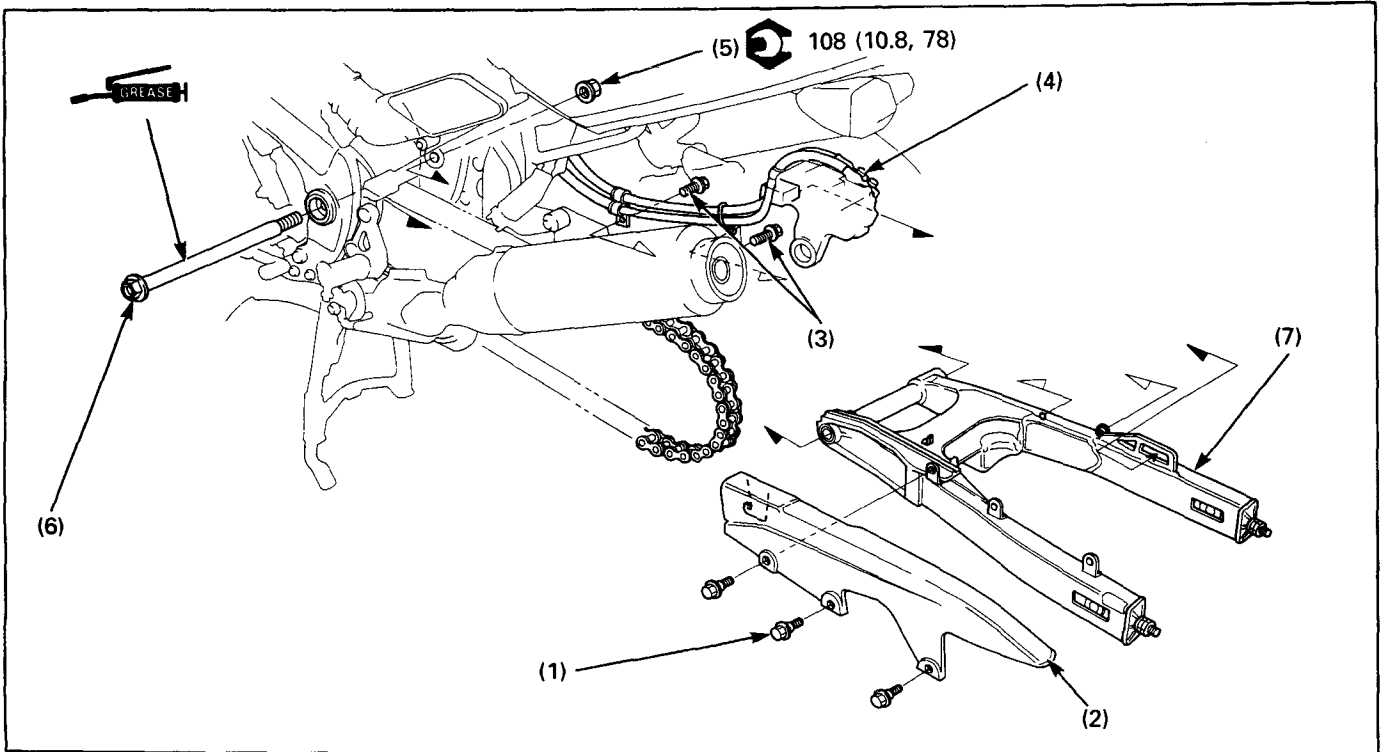


Swingarm Removal/Installation



NOTE

- Apply thin layer of grease to the swingarm pivot surface.

Requisite Service

- Rear wheel removal/installation (page 12-2)
- Shock absorber removal/installation (page 12-6)

| Procedure | O'ty | Remarks |
|------------------------------|------|--|
| Removal Order | | Installation is in the reverse order of removal. |
| (1) Drive chain case bolt | 3 | |
| (2) Drive chain case | 1 | |
| (3) Brake hose clamp bolt | 2 | |
| (4) Brake hose/brake caliper | 1 | |
| (5) Swingarm pivot nut | 1 | |
| (6) Swingarm pivot bolt | 1 | |
| (7) Swingarm | 1 | |