

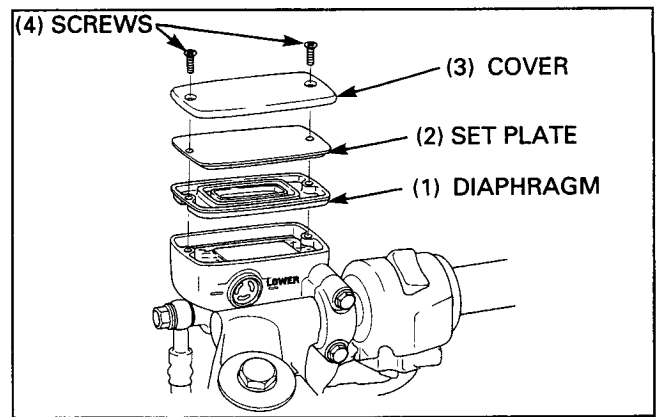
Fill the reservoir up to the "UPPER" level.

Specified brake fluid: DOT 4 brake fluid

Install the following:

- Diaphragm
- Set plate
- Reservoir cover
- Screws

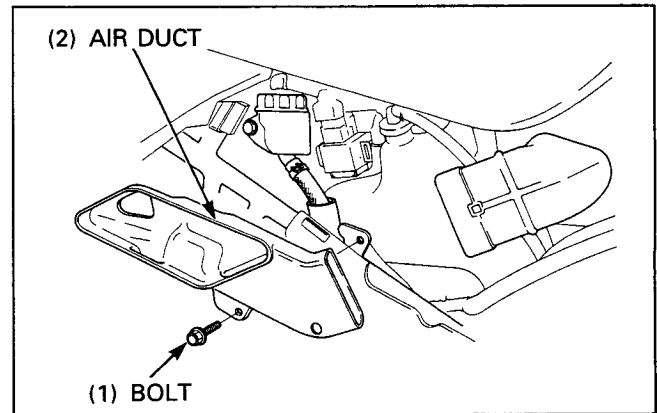
Turn the adjuster, adjust the brake lever position.



Pedal Brake Line Air Bleeding

NOTE

- For correct air bleeding, comprehend the pedal brake line referring to the Technical Feature in section 19.
- Make sure the secondary master cylinder orifice bolt is loosened fully until it seats on the snap ring.
- Bleed the air from the pedal brake line in the sequence as follow:
 1. Right front brake caliper center bleeder
 2. Left front brake caliper center bleeder
 3. Rear brake caliper center bleeder
 4. Rear brake caliper outer bleeder



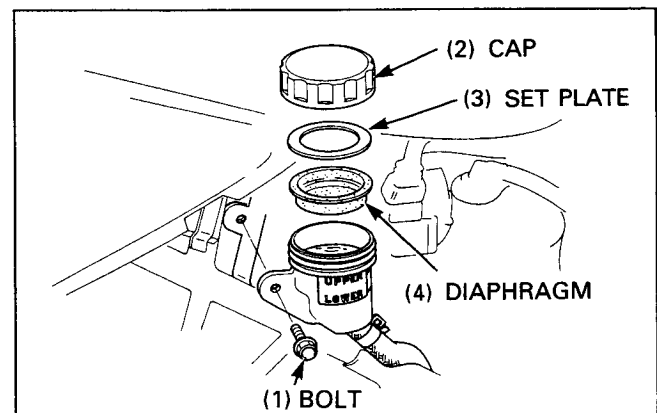
Remove the right side cover (page 2-3).

Remove the bolt and intake air duct.

Remove the rear master cylinder reservoir tank mounting bolt.

Remove the following:

- Reservoir cap
- Set plate
- Diaphragm



Fill the reservoir DOT 4 brake fluid.

Pump the brake pedal while filling the brake fluid and feed fluid into the master cylinder.

