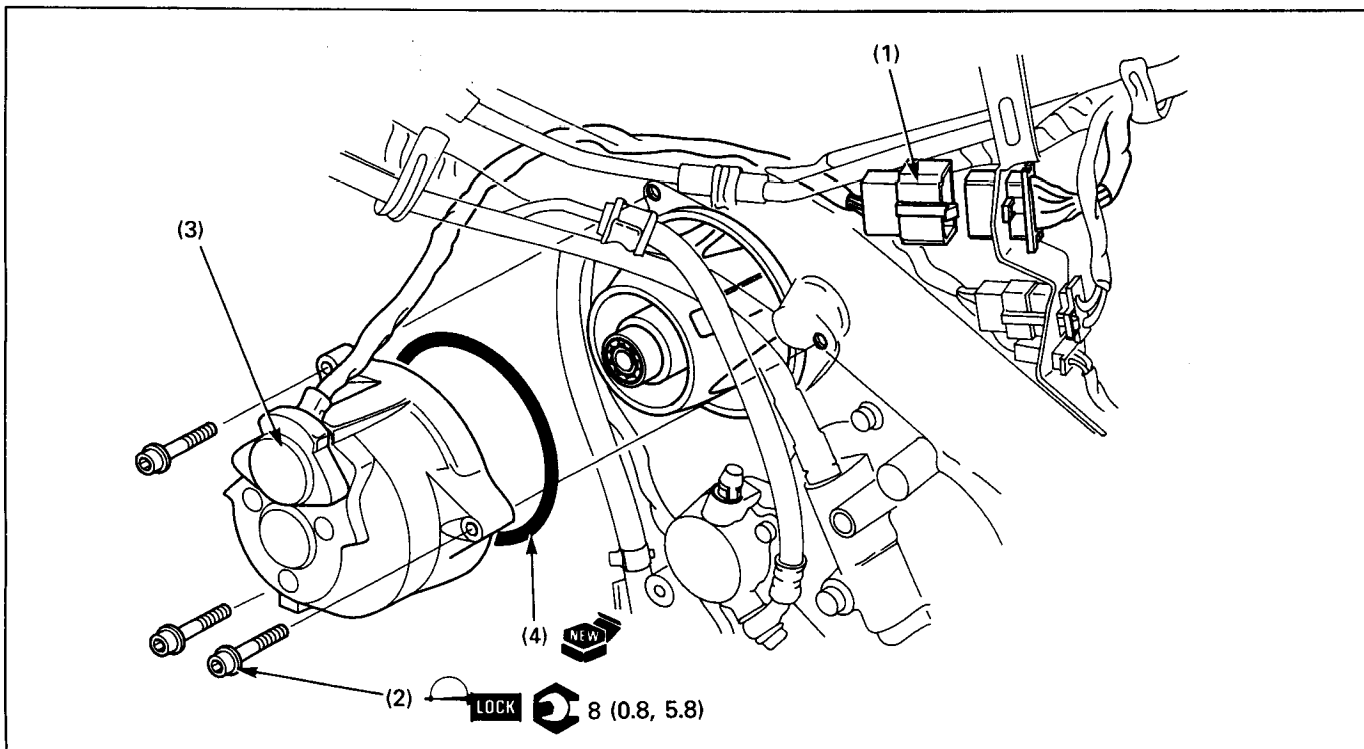


## AC Generator Cover Removal/Installation



### Requisite Service

- Left lower fairing removal/installation (page 2-6)

Procedure		O'ty	Remarks
<b>Removal Order</b>			Installation is in the reverse order of removal.
(1)	AC generator 6P connector	1	
(2)	AC generator cover bolt	3	
(3)	AC generator cover	1	
(4)	O-ring	1	