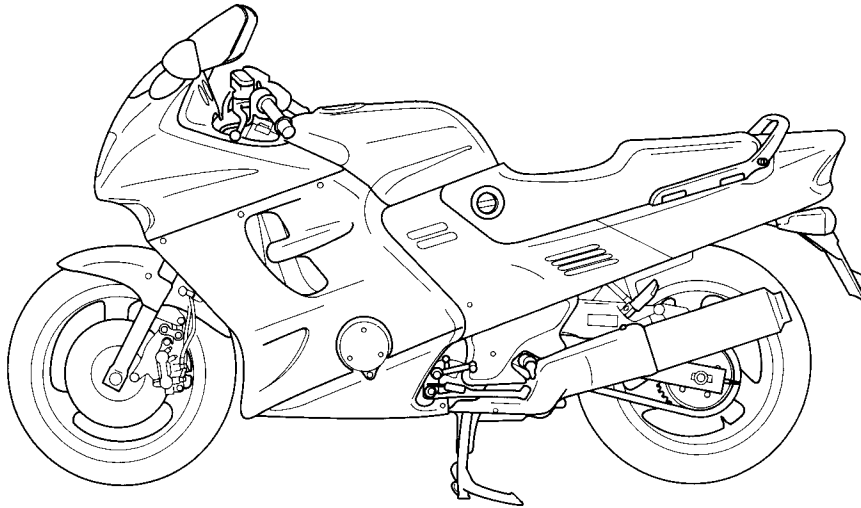
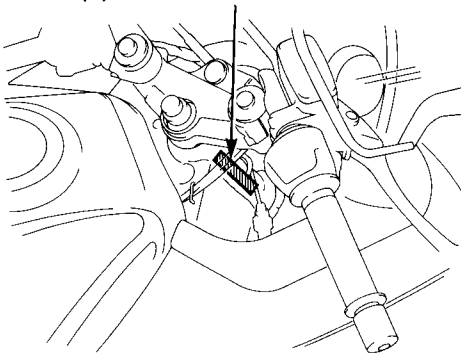


Model Identification

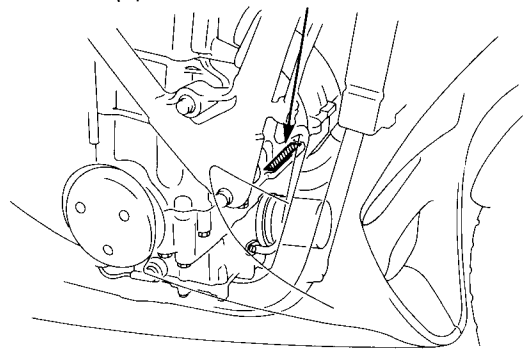


(1) FRAME SERIAL NUMBER

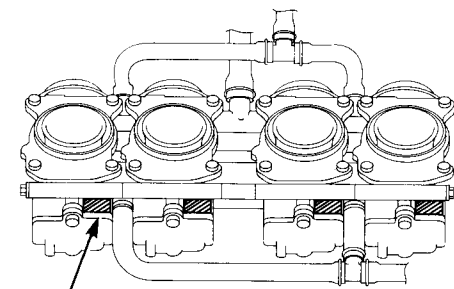


(1) The frame serial number is stamped on the right side of the steering head.

(2) ENGINE SERIAL NUMBER



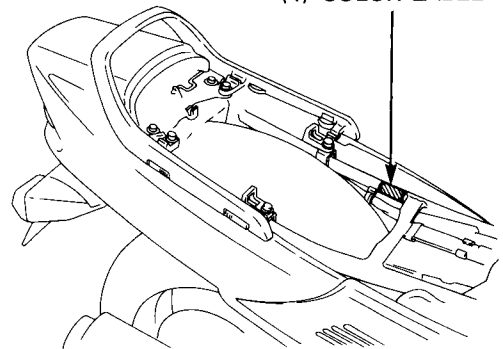
(2) The engine serial number is stamped on the front of the crankcase.



(3) CARBURETOR IDENTIFICATION NUMBER

(3) The carburetor identification number is stamped on the rear side of each carburetor.

(4) COLOR LABEL



(4) The color label is attached as shown. When ordering color-coded parts, always specify the designated color code.