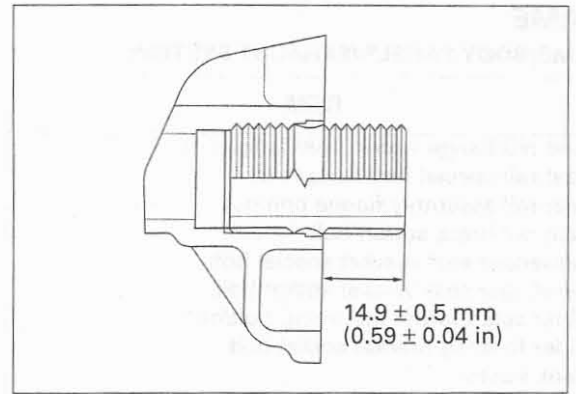
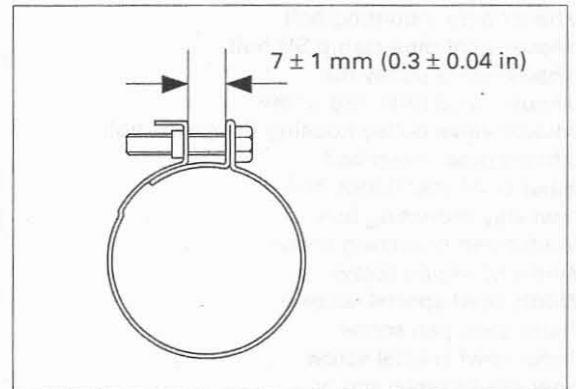


Oil filter boss:



Insulator clamp (Throttle body side):



Exhaust pipe stud bolt:

