

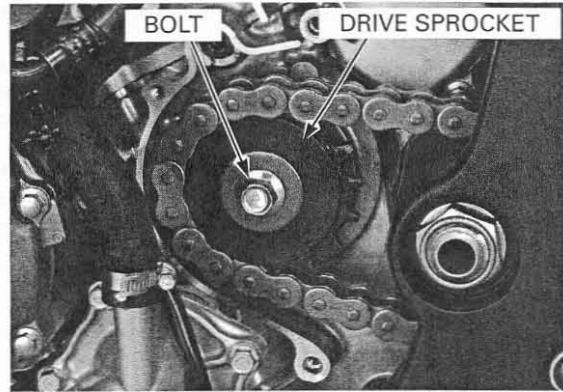
## MAINTENANCE

Check the attaching bolts and nuts on the drive and driven sprockets.  
If any are loose, torque them.

### TORQUE:

**Drive sprocket special bolt:**  
54 N·m (5.5 kg·m, 40 lbf·ft)

**Final driven sprocket nut:**  
64 N·m (6.5 kgf·m, 47 lbf·ft)



### REPLACEMENT

This motorcycle uses a drive chain with a staked master link.

Loosen the drive chain (page 4-26).

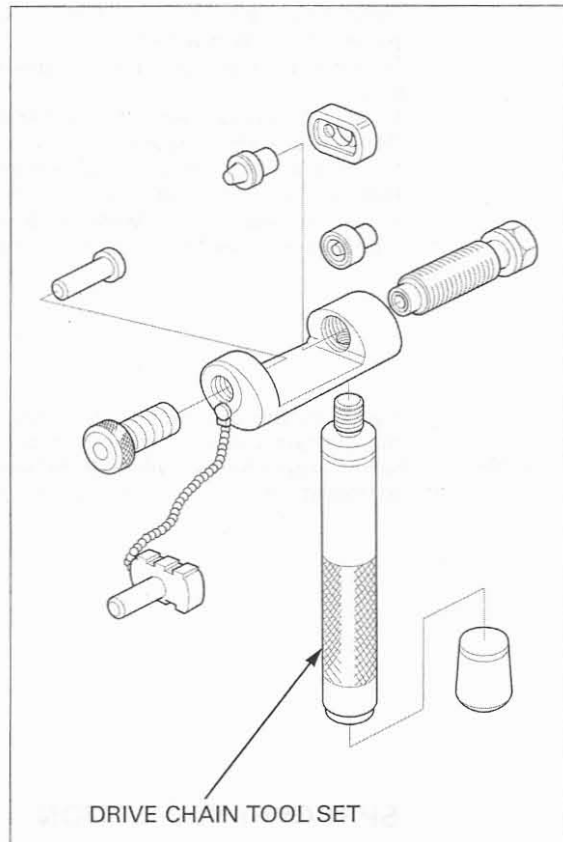
Assemble the special tool as shown.

*When using the special tool, follow the manufacturer's instruction.*

### TOOL:

**Drive chain tool set**

**07HMH-MR10103 or  
07HMH-MR1010C  
(U.S.A. only)**



Locate the crimped pin ends of the master link from the outside of the chain, and remove the link with the drive chain tool set.

### TOOL:

**Drive chain tool set**

**07HMH-MR10103 or  
07HMH-MR1010C  
(U.S.A. only)**

Remove the drive chain.

