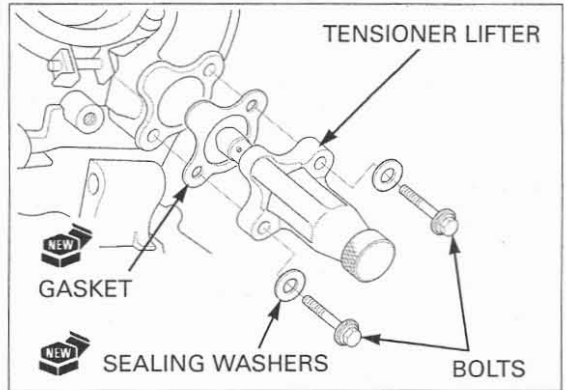
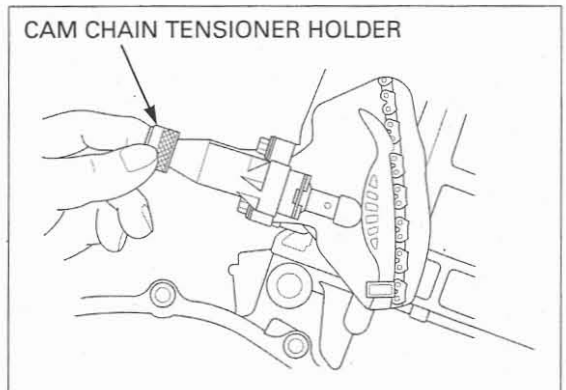


Install the sealing washers and bolts, tighten the socket bolts.



Remove the special tool.



Install a new sealing washer and tighten the sealing bolt securely.

Install the throttle body (page 6-52).

