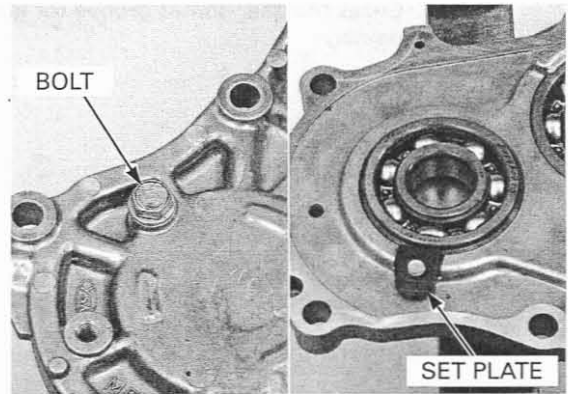


## TRANSMISSION/GEARSHIFT LINKAGE

Remove the bolt and countershaft bearing set plate.

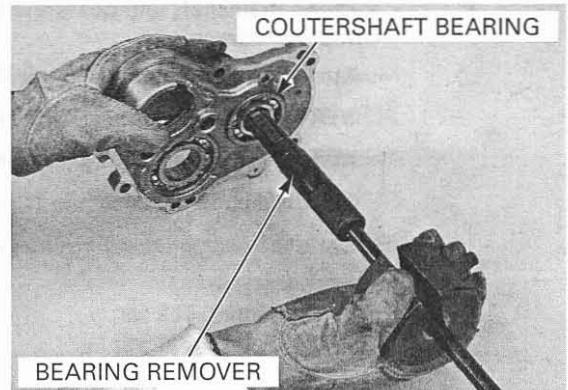


Remove the countershaft bearing using the special tools.

### TOOLS:

Bearing remover handle	07936-3710100
Bearing remover set	07936-3710600
Remover weight	07741-0010201 or 07936-371020A (U.S.A. only)

Drive out the countershaft bearing and shift drum bearing.



### Bearing Locations

