

CRANKCASE/CRANKSHAFT/BALANCER/PISTON/CYLINDER

Check the balancer weight and gear for wear or damage.
Check the damper rubbers for fatigue or damage, replace if necessary.

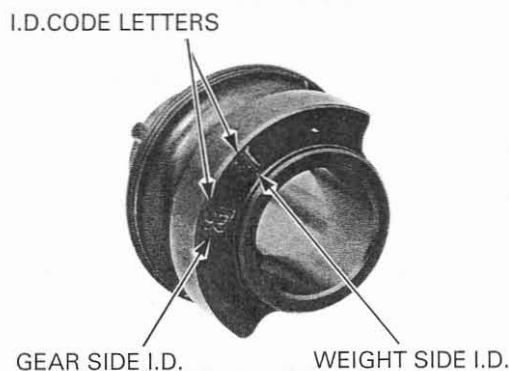


BALANCER BEARING SELECTION

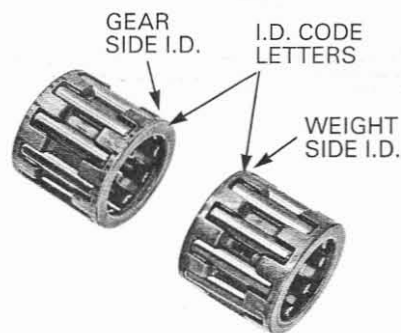
The balancer weight and needle bearings are selected fitted.

The balancer weight has two I.D. code letters as shown.

The marking identify each I.D. of the balancer weight as shown.



Reference the balancer weight I.D. code letters to determine the replacement bearing color. Refer to the selection table below for bearing selection.



BALANCER BEARING SELECTION TABLE:

		BALANCER WEIGHT I.D. CODE		
		A	B	C
		27.000 – 27.004 mm (1.0630 – 1.0631 in)	26.991 – 26.996 mm (1.0626 – 1.0628 in)	26.987 – 26.991 mm (1.0624 – 1.0626 in)
BALANCER SHAFT	17.990 – 17.996 mm (0.7083 – 0.7085 in)	Blue	White	Green