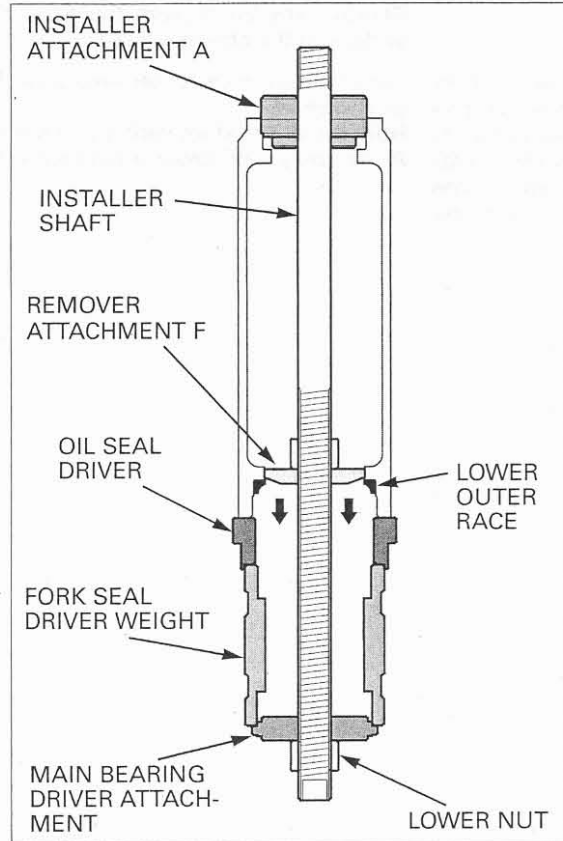


FRONT WHEEL/SUSPENSION/STEERING

Install the special tools into the steering head as shown.
Align remover attachment F with the grooves in the steering head.
While holding the installer shaft with a wrench, turn the lower nut gradually to remove the lower bearing outer race.



Install a new upper bearing outer race with the special tools as shown.
While holding the installer shaft with a wrench, turn the lower nut gradually until the race is fully seated.

