

FRONT BODY COVER

REMOVAL/INSTALLATION

Remove the following:

- Side body cover (page 3-4)
- Luggage box (page 3-8)

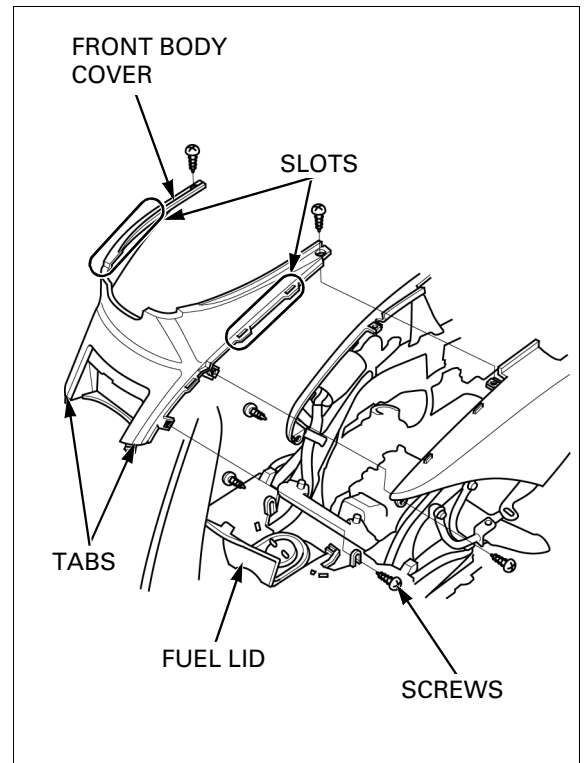
Open the fuel lid.

Remove the six screws.

Release the four slots of the front body cover from the tabs by slightly pulling it lowered.

Release the two tabs of the front body cover from the slots, then remove the front body cover.

Installation is in the reverse order of removal.



BODY COVER

REMOVAL/INSTALLATION

Remove the front body cover (page 3-9).

Remove the screws.

Release the tabs and remove the rear lower body cover.

