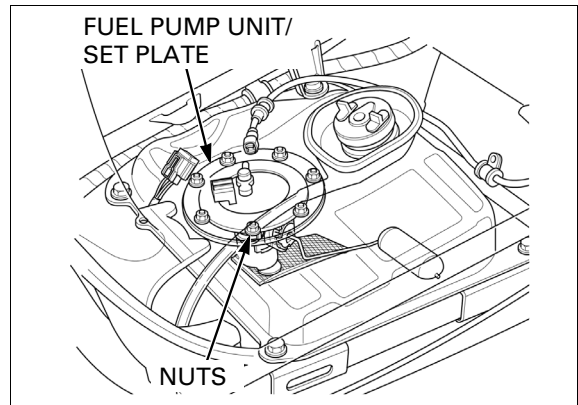


FUEL SYSTEM (Programmed Fuel Injection)

Install the fuel pump unit/set plate to the fuel tank.

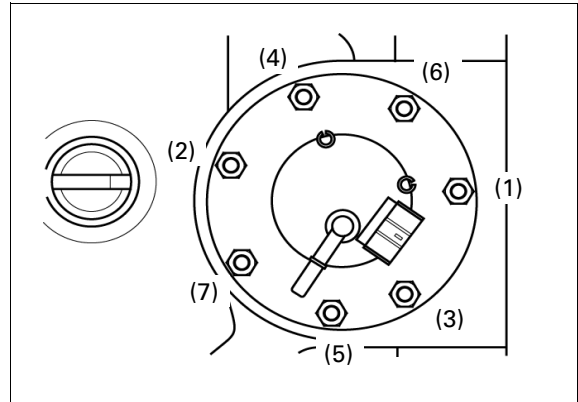
- Be careful not to damage the fuel level sensor when installing the fuel pump unit.
- Be careful not to allow the dirt and debris between the fuel pump and packing.

Install the fuel pump mounting nuts.



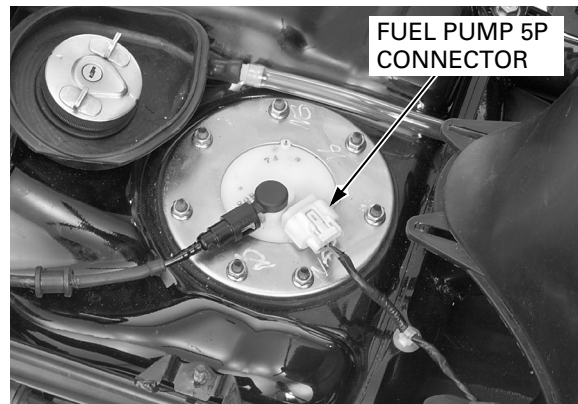
Tighten the fuel pump mounting nuts in the sequence shown.

TORQUE: 12 N·m (1.2 kgf·m, 9 lbf·ft)



Connect the fuel pump 5P connector.

Connect the quick connect fitting (page 6-33).



INSPECTION

Check for fuel pump unit for wear or damage.

Check for fuel suction filter for wear or damage.

Replace the fuel pump unit if necessary.

