

COOLING SYSTEM

INSPECTION

Visually inspect the thermostat for damage.
Replace the thermostat if the valve stays open at room temperature.

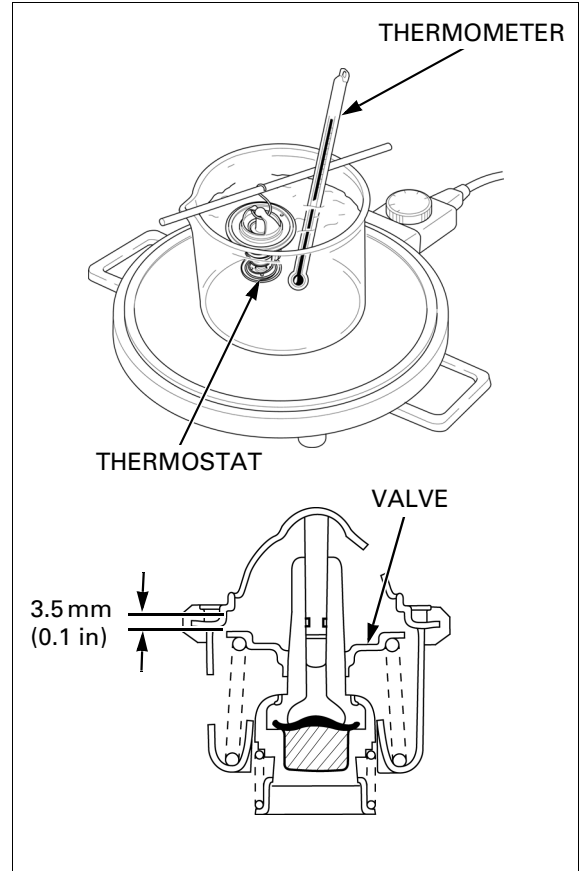
Do not let the thermostat or thermometer touch the pan, or you will get false readings.

Heat a pan of water with an electric heating element to operating temperature for 5 minutes.
Suspend the thermostat in the heated water to check its operation.

THERMOSTAT BEGINS TO OPEN:
74.5 – 77.5 °C (166 – 172 °F)

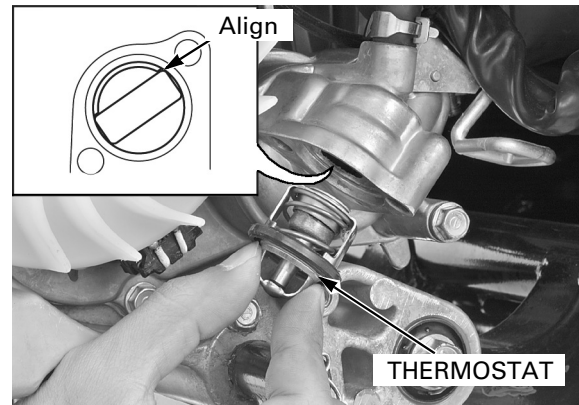
VALVE LIFT:
3.5 mm (0.1 in) minimum at 85 °C (185 °F)

Replace the thermostat if it responds at temperatures other than those specified.



INSTALLATION

Install the thermostat by aligning its body (spring stopper) with the thermostat housing slot.



Install the dowel pins.

