

Remove the water pump shaft from the bearing using a hydraulic press.

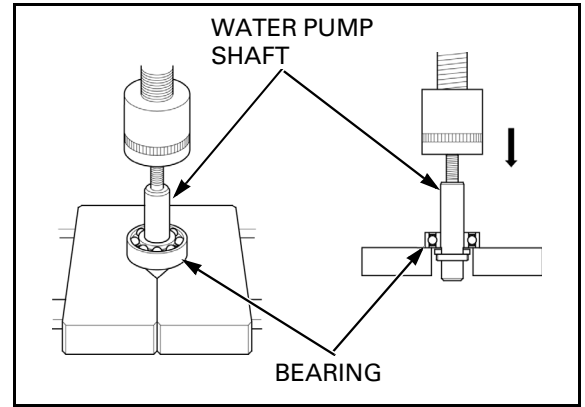
- If the bearing remains in the stator base/water pump, remove the bearing using the special tools.

TOOLS:

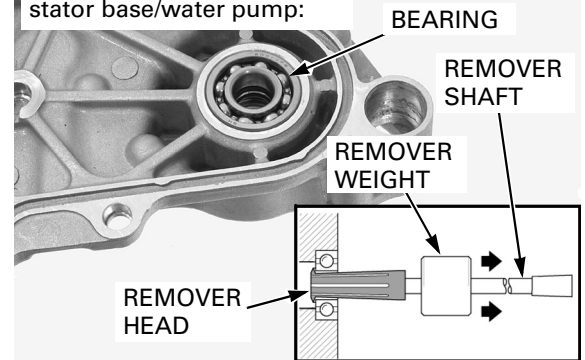
Bearing remover head, 12mm 07936-1660110

Bearing remover shaft, 12mm 07936-1660120

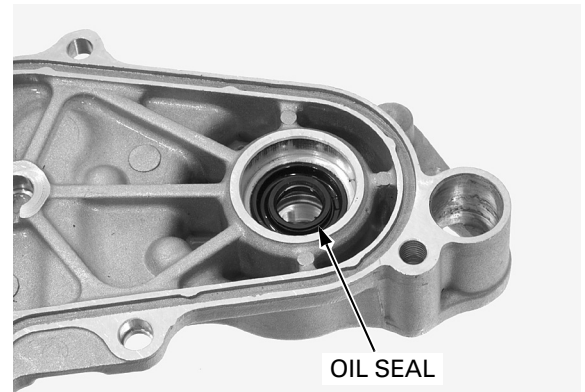
Remover weight 07741-0010201



If the bearing remains in the stator base/water pump:



Remove the oil seal from the stator base/water pump.



Be careful not to damage the water pump/stator base mating surface.

Remove the mechanical seal using a hydraulic press.

TOOL:

Bearing driver 07945-GC80000

