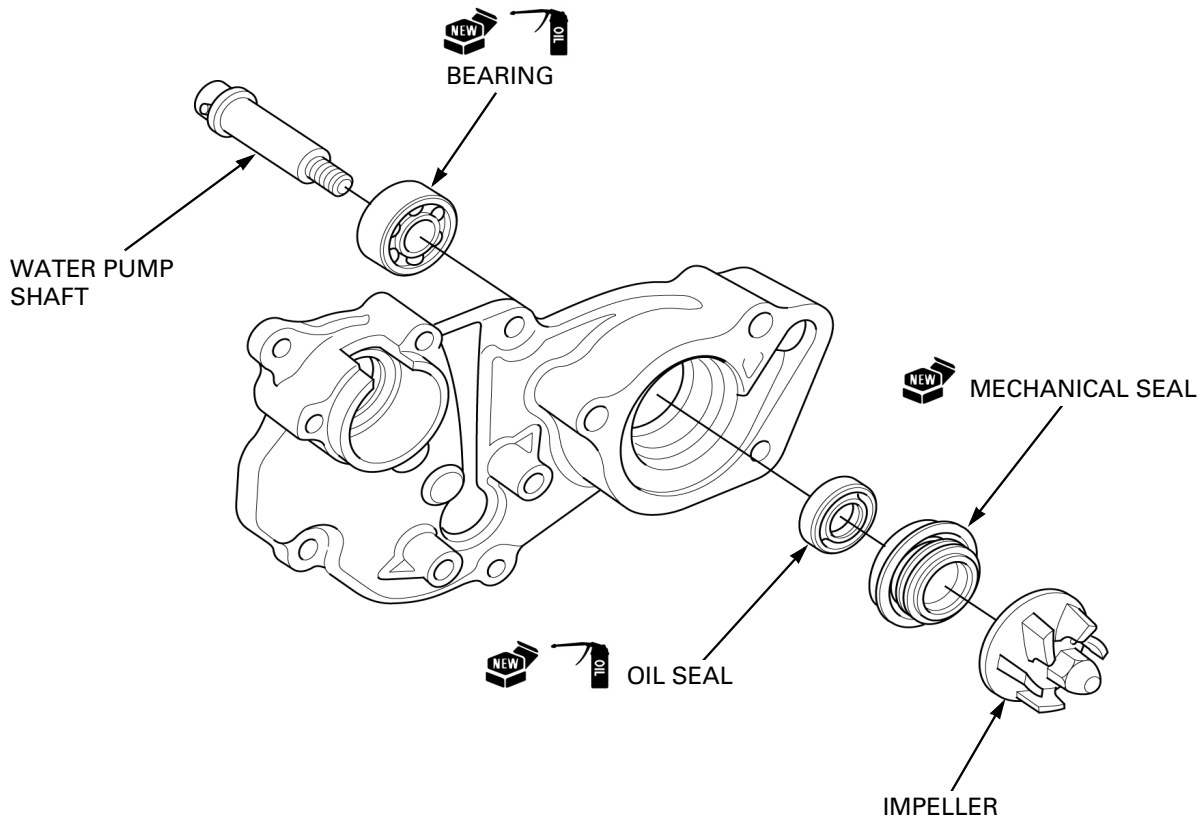


# COOLING SYSTEM

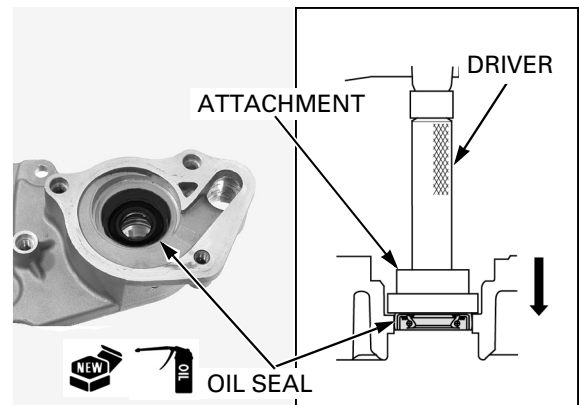


Apply engine oil to a new water pump oil seal lips.

Drive a new water pump oil seal with its marked side facing the impeller until it is flush with the water pump groove.

**TOOLS:**

**Driver** 07749-0010000  
**Attachment, 24 x 26 mm** 07746-0010700



Drive a new mechanical seal until it is fully seated on the water pump groove using the special tools and hydraulic press.

**TOOLS:**

**Driver** 07749-0010000  
**Mechanical seal driver attachment** 07945-4150400

