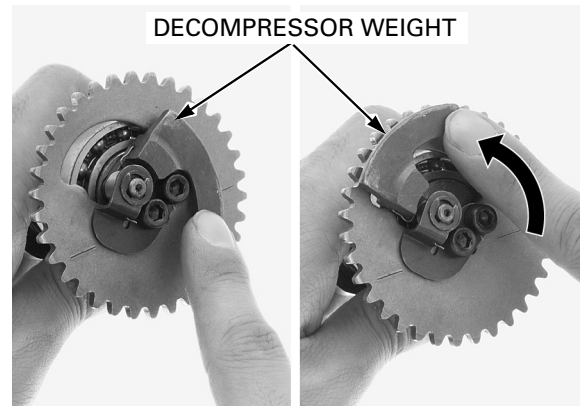


Check the decompressor weight that it operates smoothly and that the spring returns the decompressor weight in position.

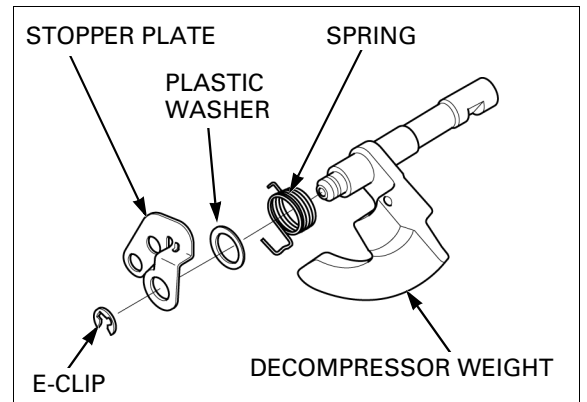


DECOMPRESSOR WEIGHT DISASSEMBLY

Remove the E-clip from the decompressor weight.

Turn the spring end counterclockwise and unhook it from the decompressor weight.

Remove the stopper plate, spring and plastic washer from the decompressor weight.



DECOMPRESSOR WEIGHT ASSEMBLY

1. Install the spring and plastic washer onto the decompressor weight.
2. Hook the spring end onto the stopper plate. Turn the stopper plate and hook the other end of spring into the hole on the decompressor weight.
3. Set the E-clip to the decompressor weight groove.

