

DRIVE PULLEY/DRIVEN PULLEY/CLUTCH

DISASSEMBLY

CLUTCH/DRIVEN PULLEY

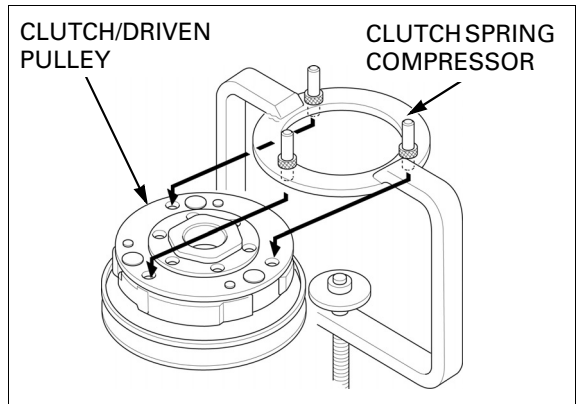
Set the clutch spring compressor onto the clutch/driven pulley by aligning the bosses of the compressor with the holes in the clutch.

TOOL:

Clutch spring compressor 07LME-GZ40201

To prevent loss of tension, do not compress the clutch spring more than necessary.

Hold the clutch/driven pulley by turning the clutch spring compressor clockwise.



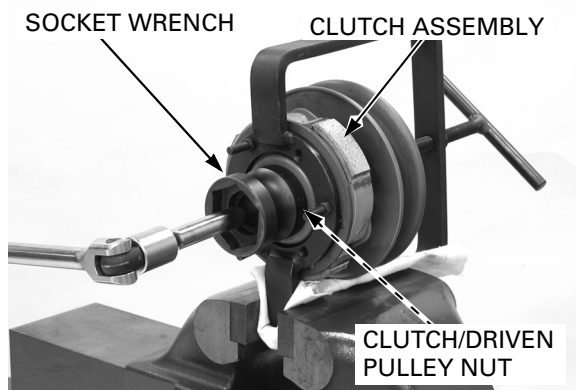
Hold the clutch spring compressor in a vise.

Remove the clutch/driven pulley nut using the special tool.

TOOL:

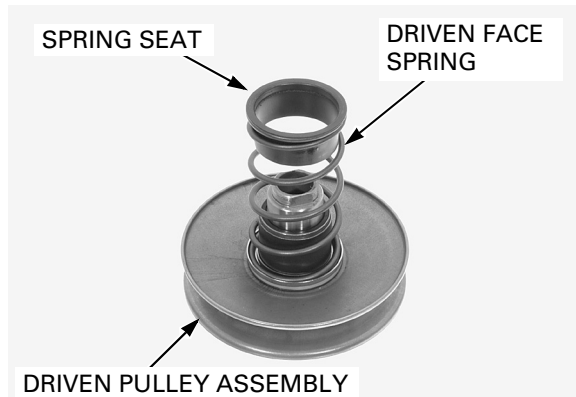
Socket wrench, 39 x 41 mm 07GMA-KS40100

Loosen the clutch spring compressor gradually and remove the clutch assembly.



Remove the following:

- Spring seat
- Driven face spring
- Driven pulley assembly



Remove the following:

- Spring cap
- Spring cap seat

