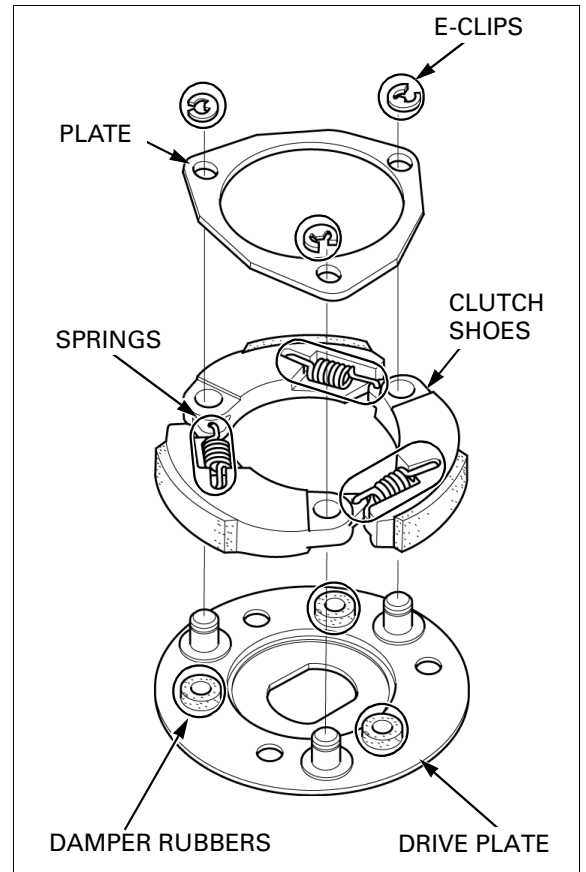


CLUTCH

Remove the three E-clips and plate.

Remove the clutch shoes from the drive plate.
Remove the clutch shoe springs from the clutch shoes.

Remove the damper rubbers from the drive plate.



DRIVEN PULLEY

Remove the seal collar.

Remove the guide pins and guide rollers from the driven face.
Remove the movable driven face from the driven face.

Remove the O-rings and oil seals from the movable driven face.

