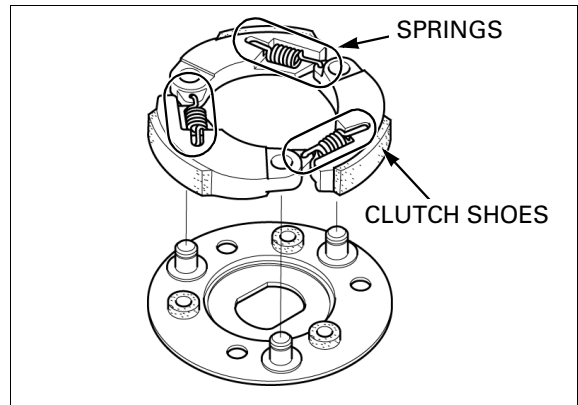


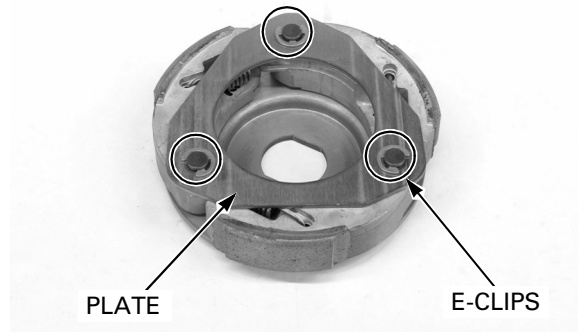
## DRIVE PULLEY/DRIVEN PULLEY/CLUTCH

Install the shoe springs onto the clutch shoes as shown.

Install the clutch shoes onto the drive plate by aligning the shoe grooves and damper rubbers.

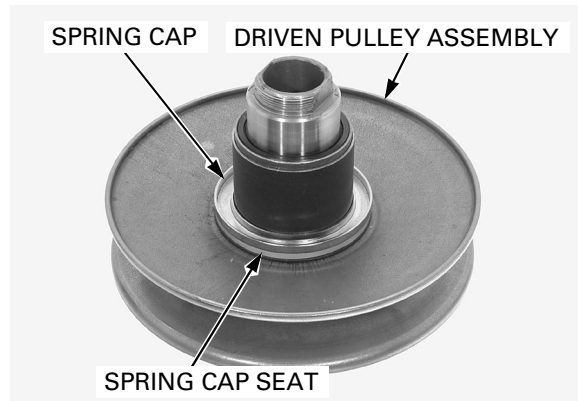


Install the plate and E-clips.



### CLUTCH/DRIVEN PULLEY

Install the spring cap seat and spring cap to the driven pulley assembly.



Install the driven face spring and spring seat.

