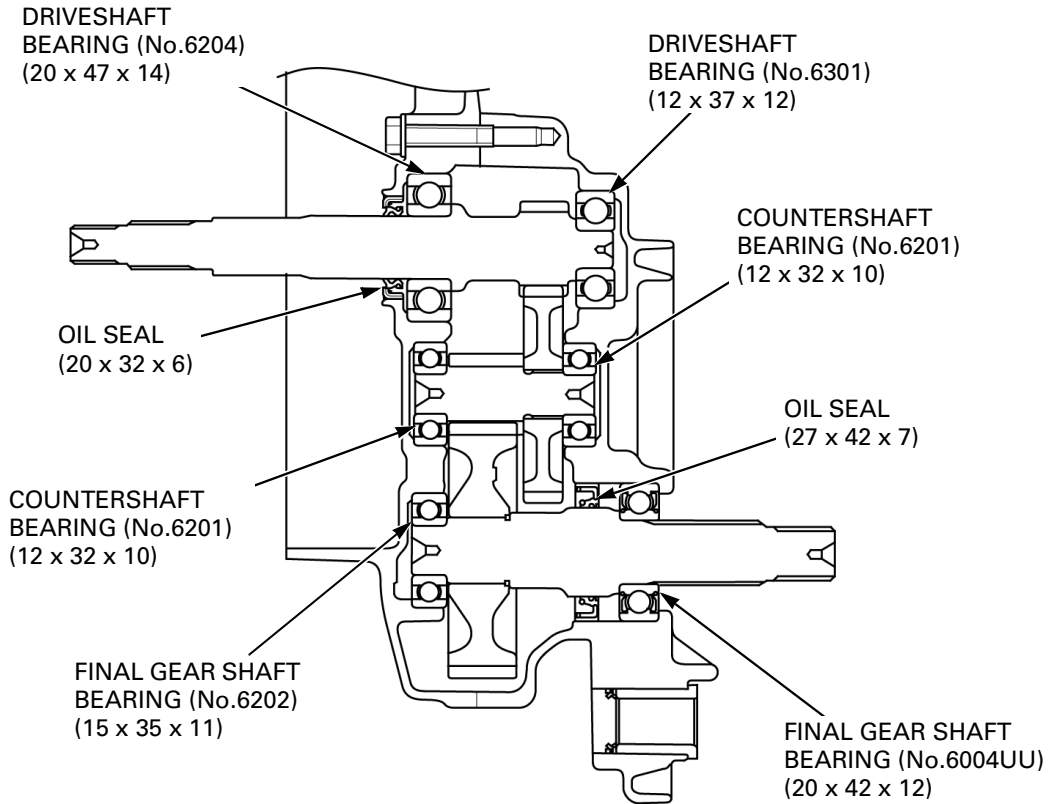


# FINAL REDUCTION BEARING REPLACEMENT



## LEFT CRANKCASE BEARING

*Be careful not to damage the final reduction case mating surface.*

Remove the countershaft and final gear shaft bearings using the special tools.

### TOOLS:

#### Countershaft bearing:

Bearing remover head, 12 mm 07936-1660110  
 Bearing remover shaft, 12 mm 07936-1660120  
 Remover weight 07741-0010201

#### Final gear shaft bearing:

Bearing remover head, 15 mm 07936-KC10200  
 Bearing remover shaft, 15mm 07936-KC10100  
 Remover weight 07741-0010201

