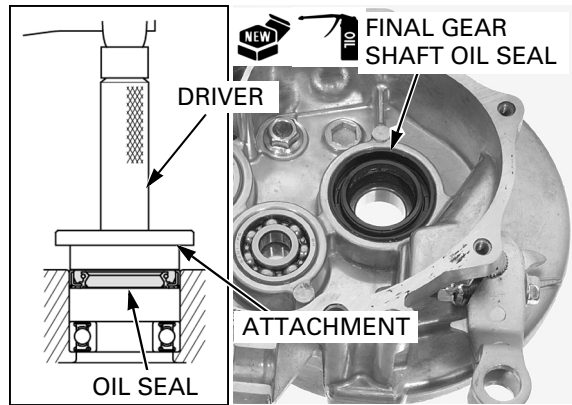


FINAL REDUCTION

Apply engine oil to a new final gear shaft oil seal lip.
Install the final gear shaft oil seal with the flat side facing the rear wheel side until it is flush with the final reduction case, using the special tools.

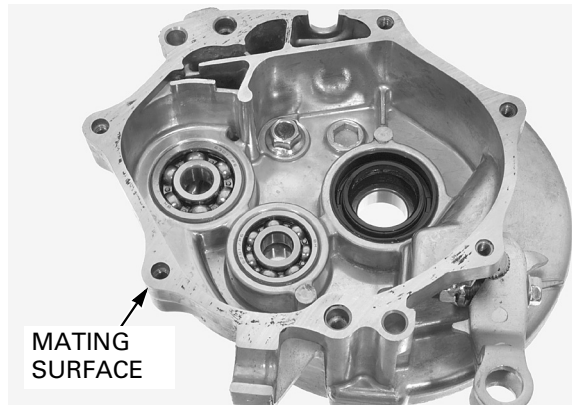
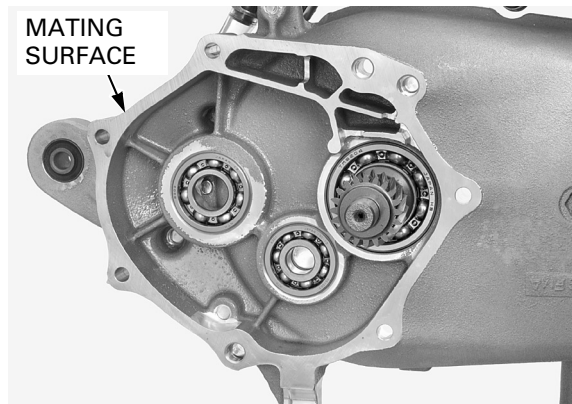
TOOLS:

Driver 07749-0010000
Attachment, 42 x 47 mm 07746-0010300



FINAL REDUCTION CASE ASSEMBLY

Be careful not to damage the final reduction case mating surface. Clean the inside and mating surface of the left crankcase and final reduction case. Check for cracks or other damage. Remove any roughness or irregularities with an oil stone.



Set the final reduction case breather hose grommet to the final reduction case.

