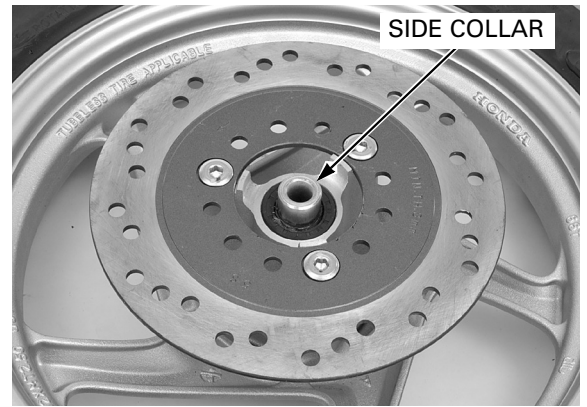


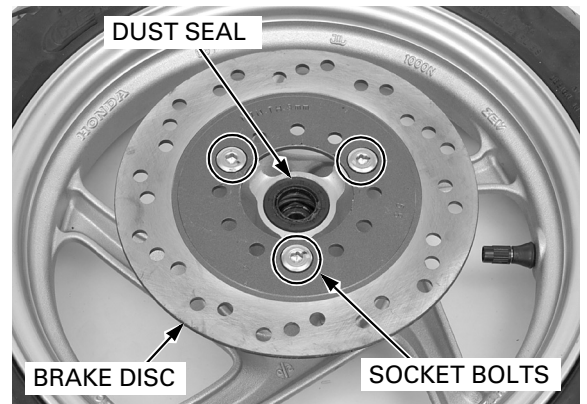
Remove the side collar from the left wheel hub.



DISASSEMBLY

Remove the dust seal from the left wheel hub.

Remove the socket bolts and brake disc.



Remove the dust seal/retainer from the right wheel hub.

