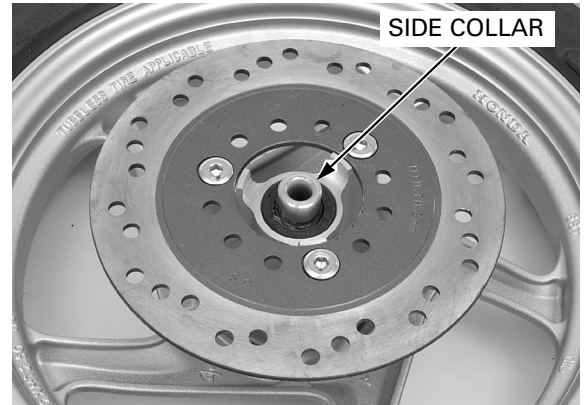


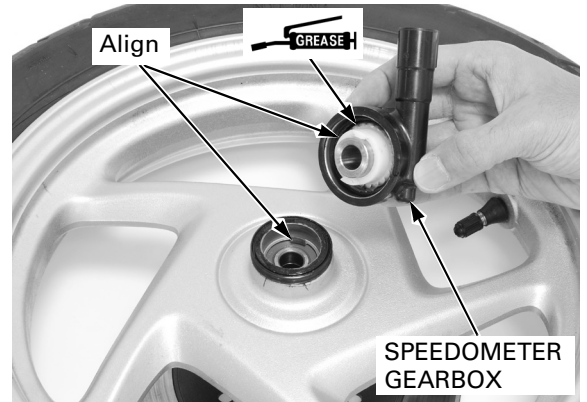
INSTALLATION

Install the side collar to the left wheel hub.



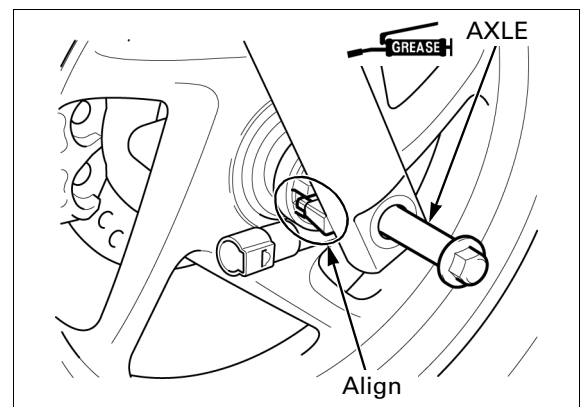
Apply grease to the speedometer gearbox inside.

Install the speedometer gearbox onto the right wheel hub by aligning the gearbox grooves with the retainer tabs.



Install the front wheel by aligning the fork tab on the speedometer gearbox groove so that the brake disc is positioned between the brake pads.

Apply thin coat of grease to the front axle and install it from the right side.



Install the axle nut and tighten it to the specified torque.

TORQUE: 59 N·m (6.0 kgf·m, 44 lbf·ft)

Install the axle nut cap.

