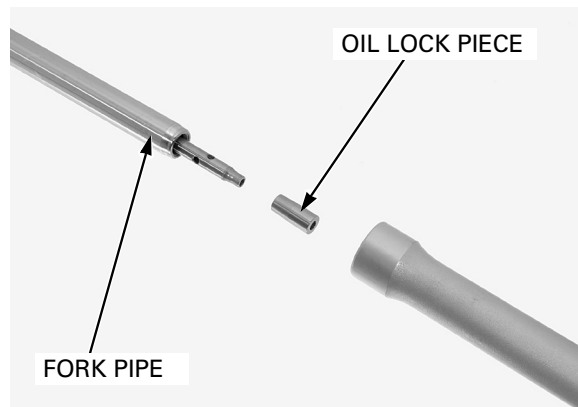
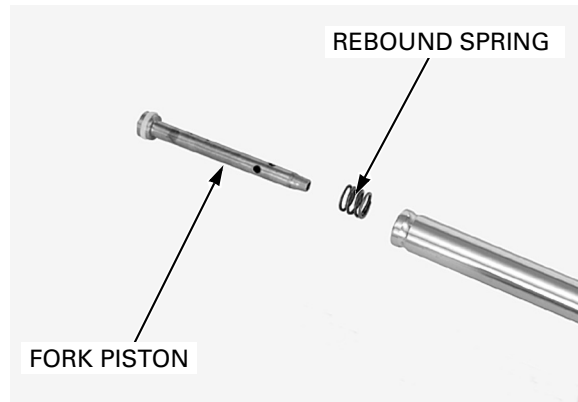


FRONT WHEEL/SUSPENSION/STEERING

Pull the fork pipe out from the fork slider and remove the oil lock piece.



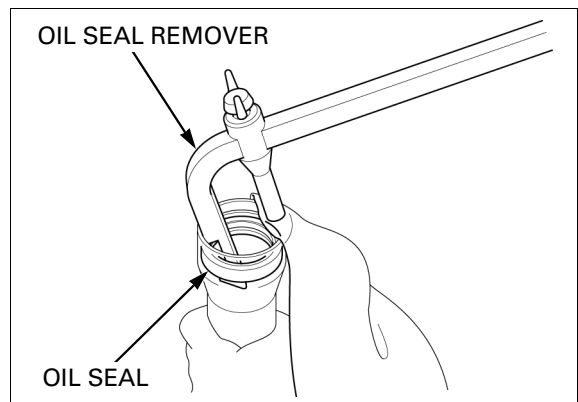
Remove the fork piston and rebound spring from the fork pipe.



Remove the oil seal using the special tool.

TOOL:
Oil seal remover

**07748-0010001 or
equivalent**



Remove the back-up ring from the fork slider.

