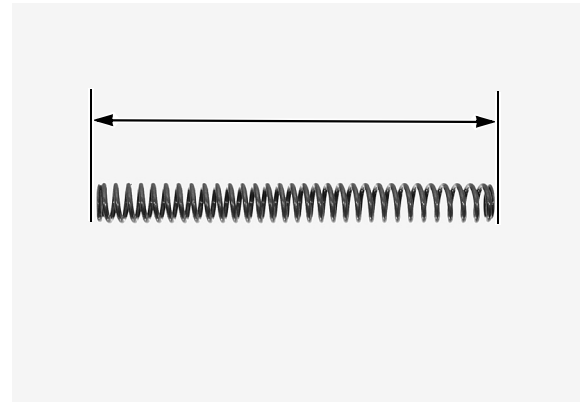


**INSPECTION**

**FORK SPRING**

Check the fork spring for fatigue or damage.  
Measure the fork spring free length.

**SERVICE LIMIT: 213.6 mm (8.41 in)**



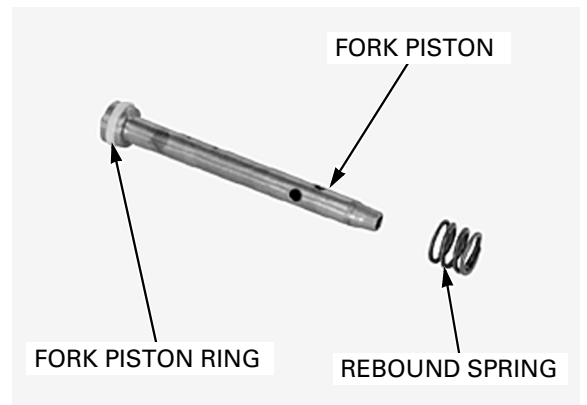
**FORK PISTON**

Check the fork piston for score marks and excessive or abnormal wear.

Check the fork piston ring for wear or damage.

Check the rebound spring for fatigue or damage.

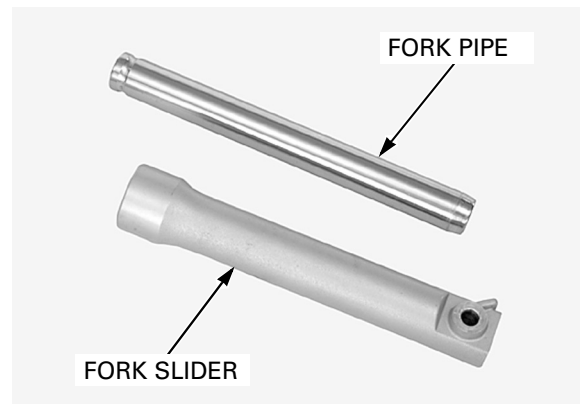
Replace the components if necessary.



**FORK PIPE/FORK SLIDER**

Check the fork pipe and fork slider for score marks and excessive or abnormal wear.

Replace the components if necessary.



Set the fork pipe in V-block and measure the runout with a dial gauge.  
Actual runout is 1/2 the total indicator reading.

**SERVICE LIMIT: 0.2 mm (0.01 in)**

