

BRAKE SYSTEM

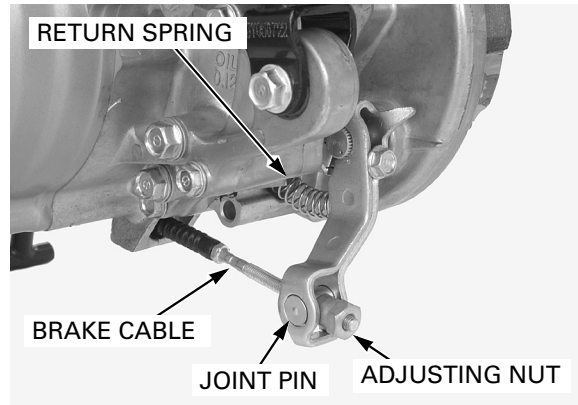
REAR DRUM BRAKE

DISASSEMBLY

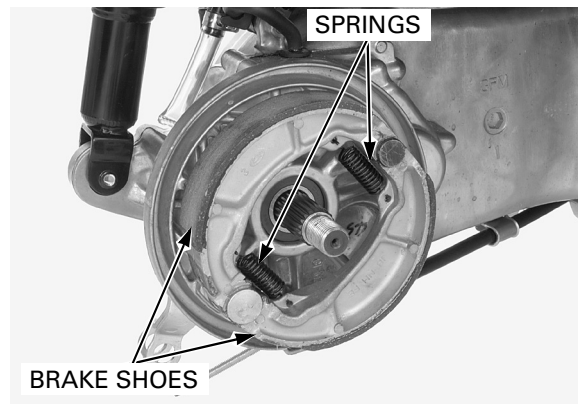
- Always replace the brake shoes as a set.
- Mark all parts during disassembly so they can be placed back in the original locations.

Remove the adjusting nut and brake cable from the joint pin.

Remove the joint pin and return spring.

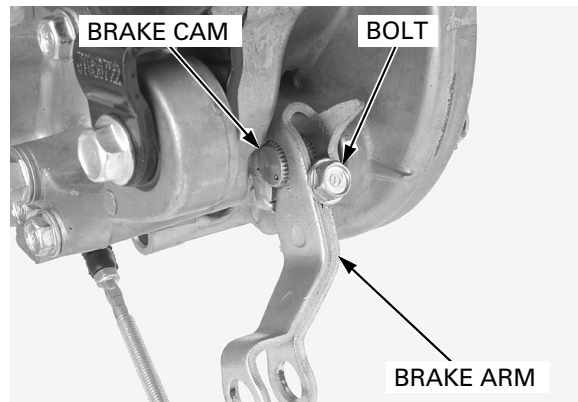


Remove the brake shoes and shoe springs by spreading the brake shoes.



Remove the brake arm bolt.

Remove the brake arm while pulling the brake cam out.



Remove the brake cam from the brake panel.

Remove the dust seal.

